



A draft plan of GW exhibition in Beijing Planetarium

Jin Ma
from Exhibition & Design Dept.



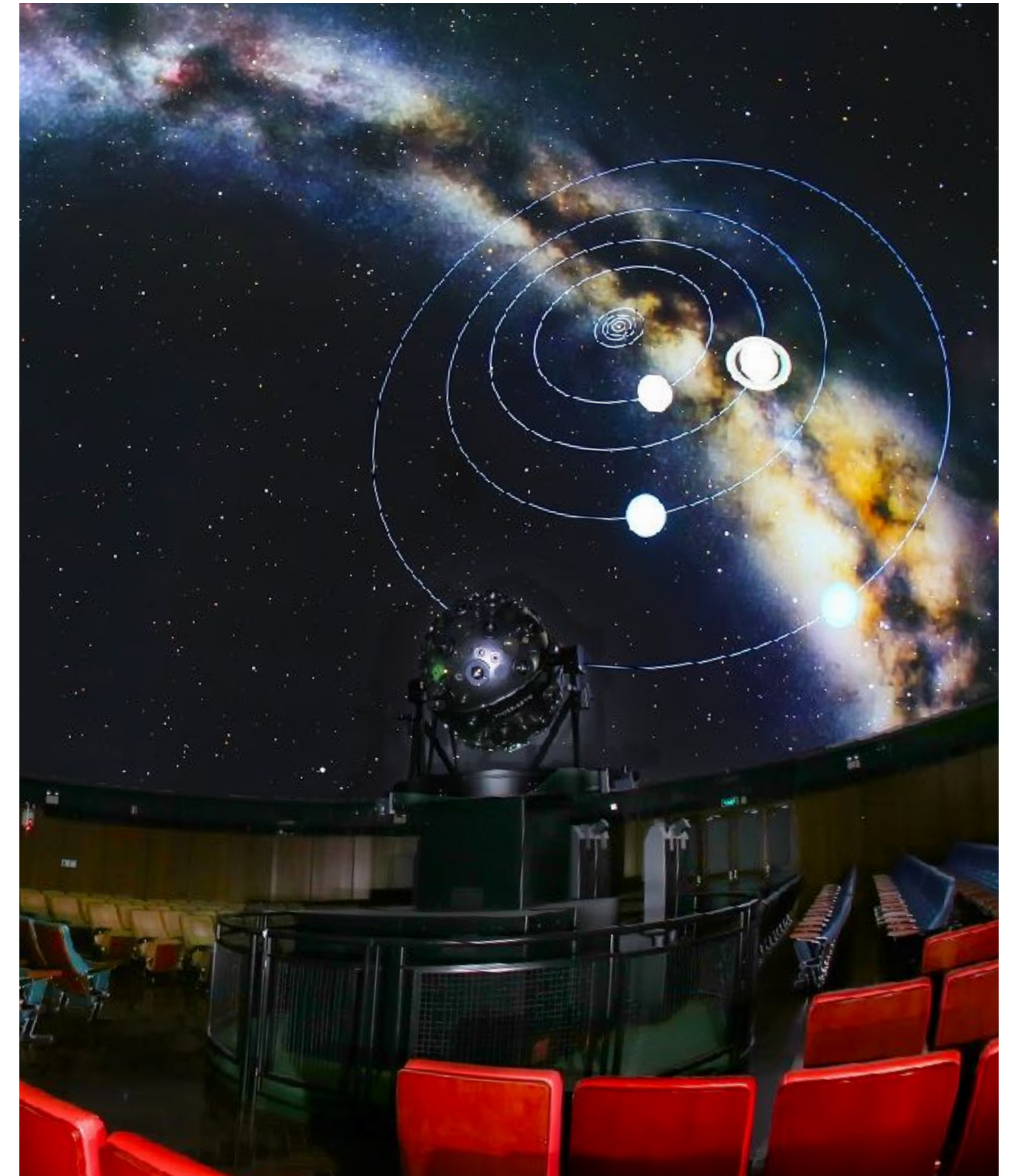
Beijing Planetarium

- ▶ built in 1957
- ▶ 23-meter dome
- ▶ new building opened in 2004
- ▶ cosmic theater, 3D theater, 4D theater
- ▶ exhibitions
- ▶ outreach activities



Beijing Ancient Observatory

- ▶ built in 1442
- ▶ 8 astronomical instruments made in the Qing Dynasty
- ▶ exhibitions
- ▶ outreach activities



23m dome, 400 seats

Zeiss-9 planetarium & Sky-Scan digital projection system



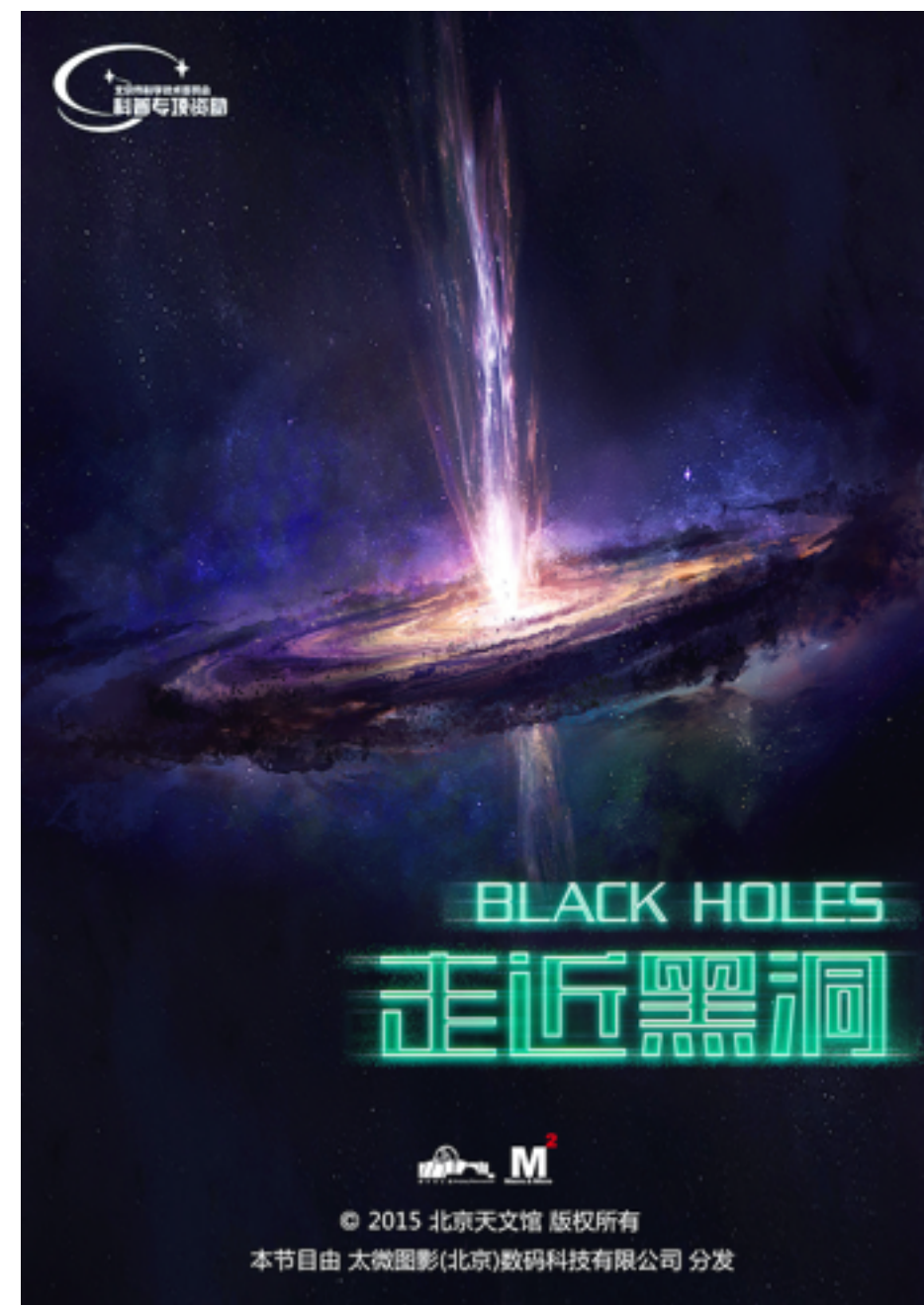
Cosmic theater

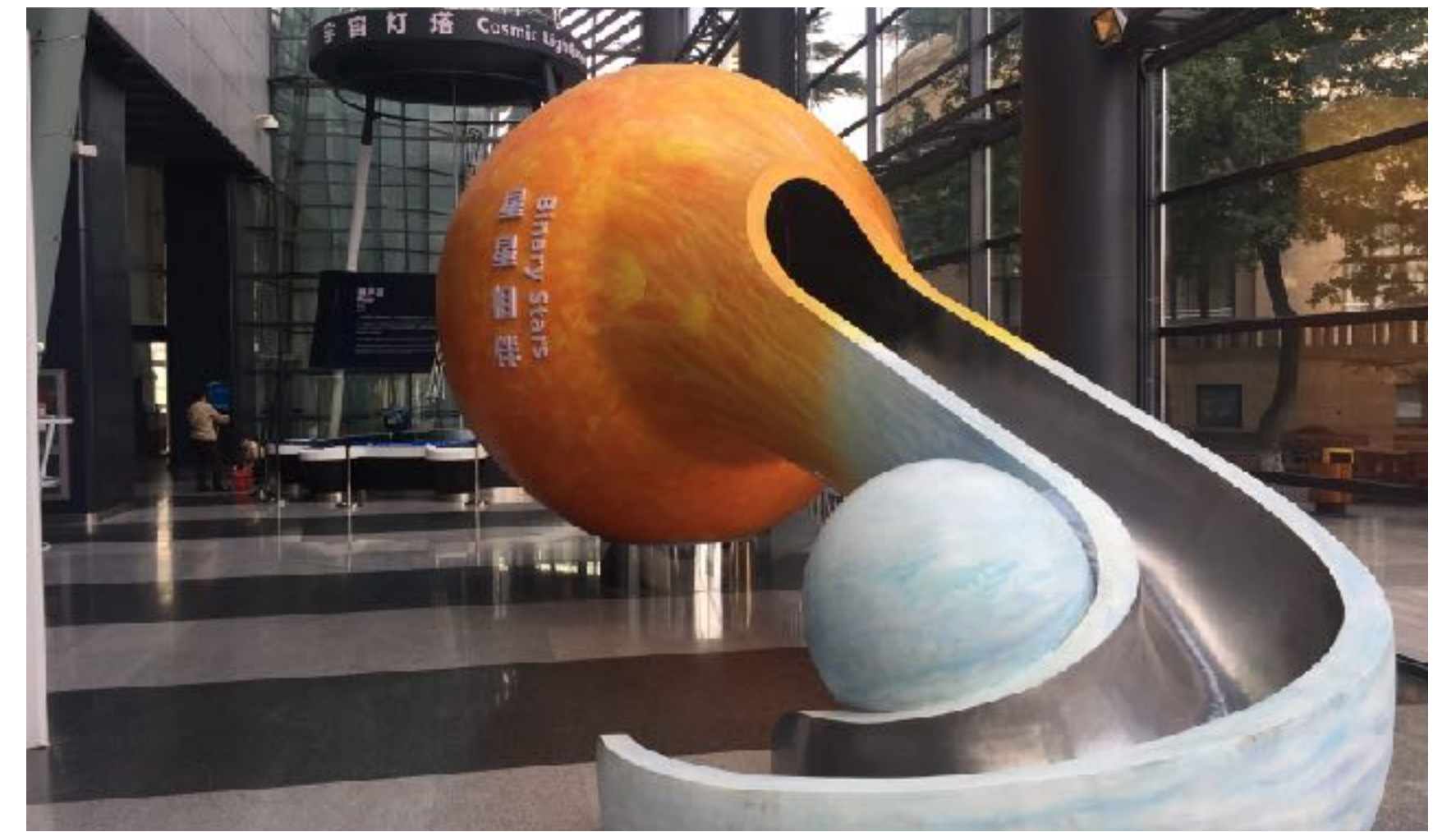


3D theater

4D theater

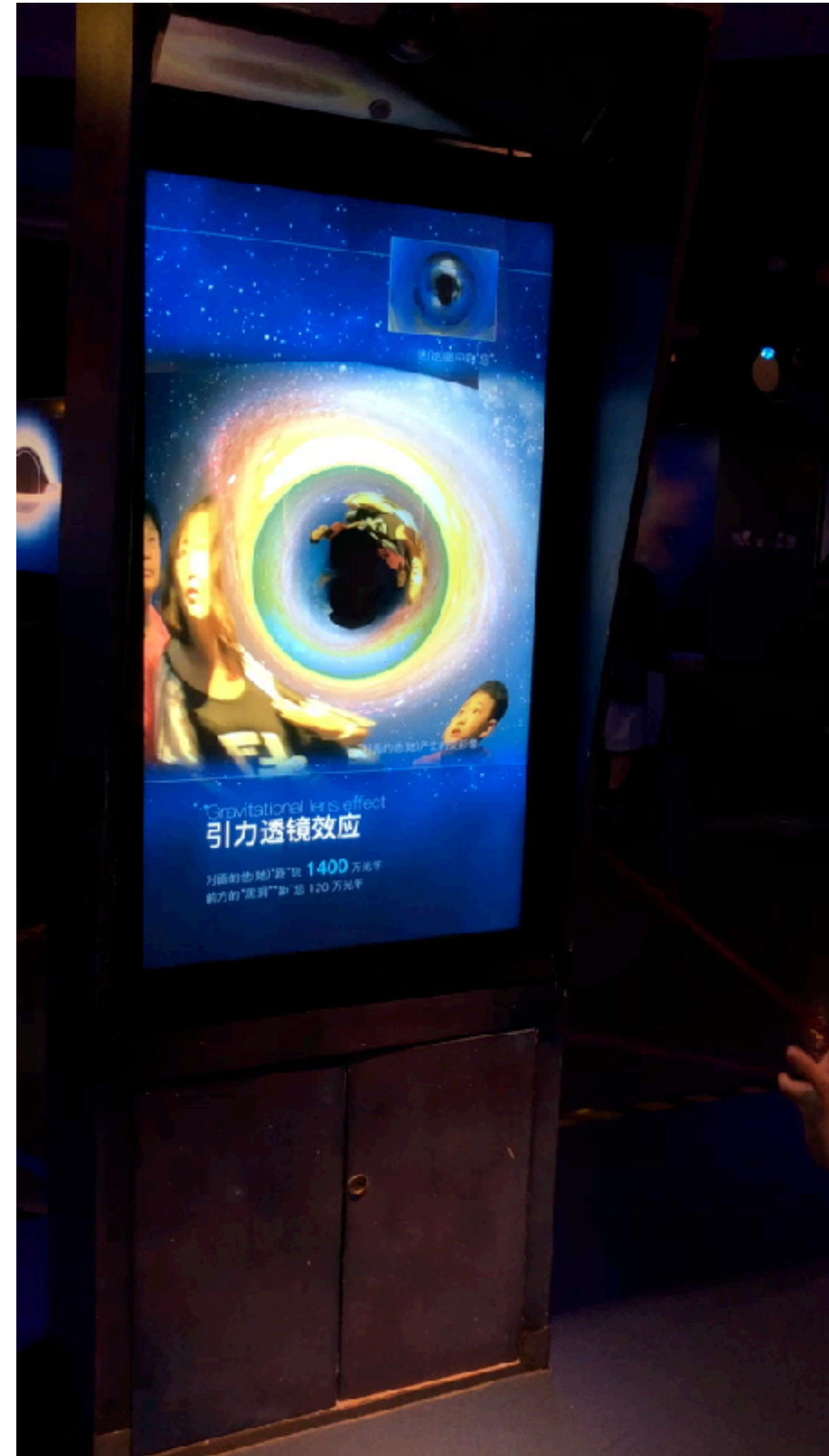
Digital Studio



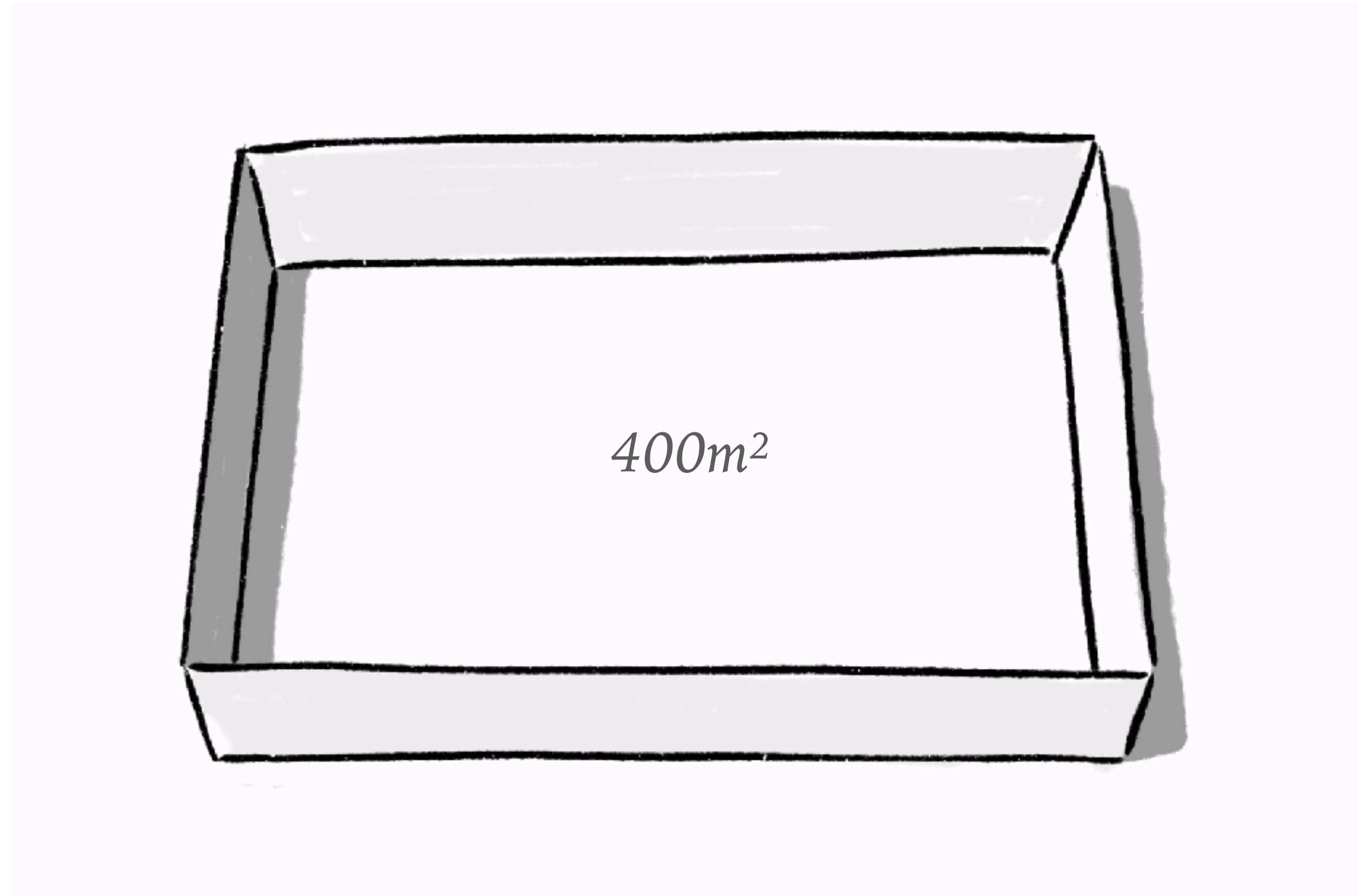


Exhibitions

Gravitational Lensing



Gravitational Waves Exhibition



Gravitational Waves Exhibition

A New Messenger

Measure the Impossible

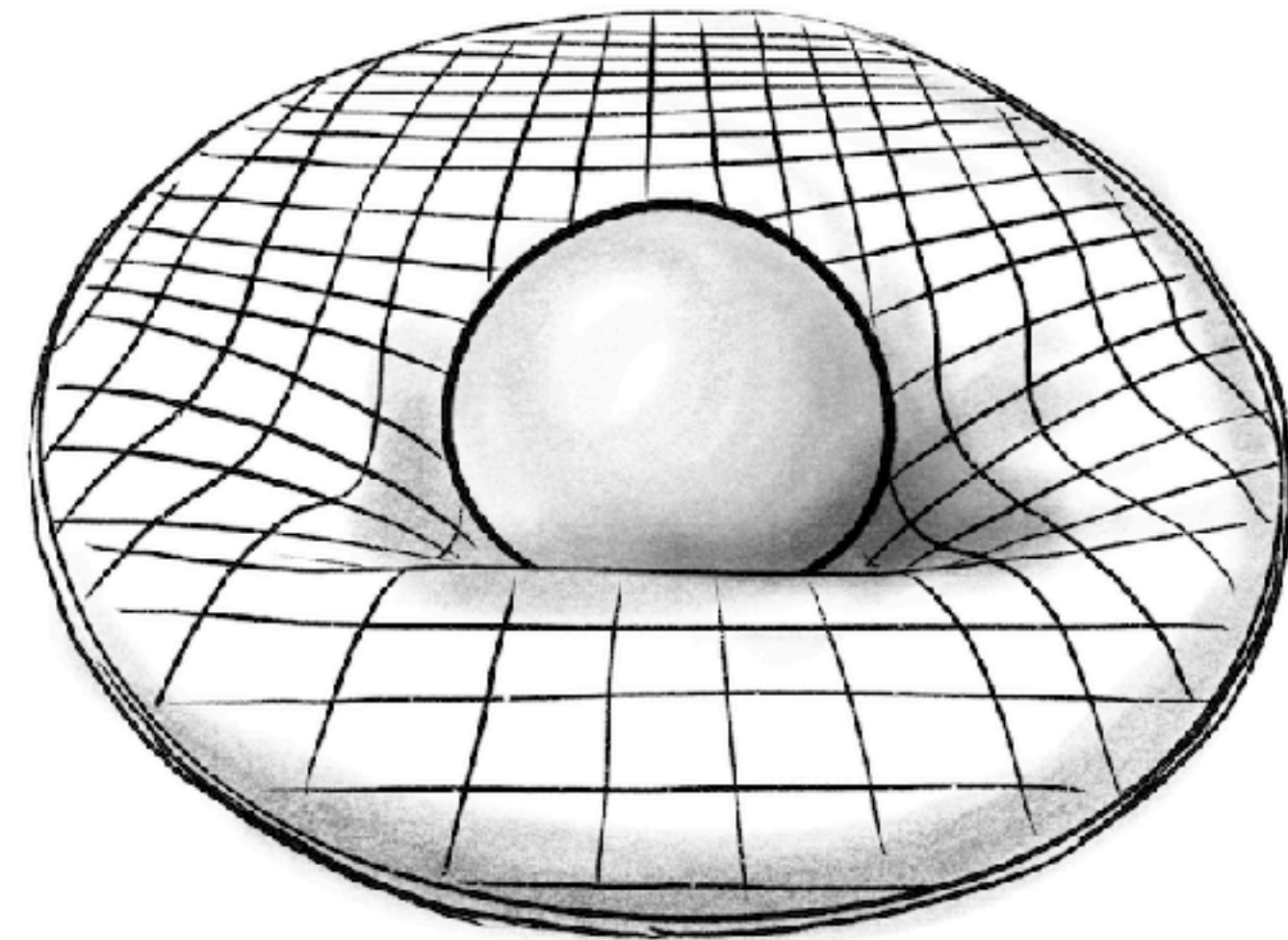
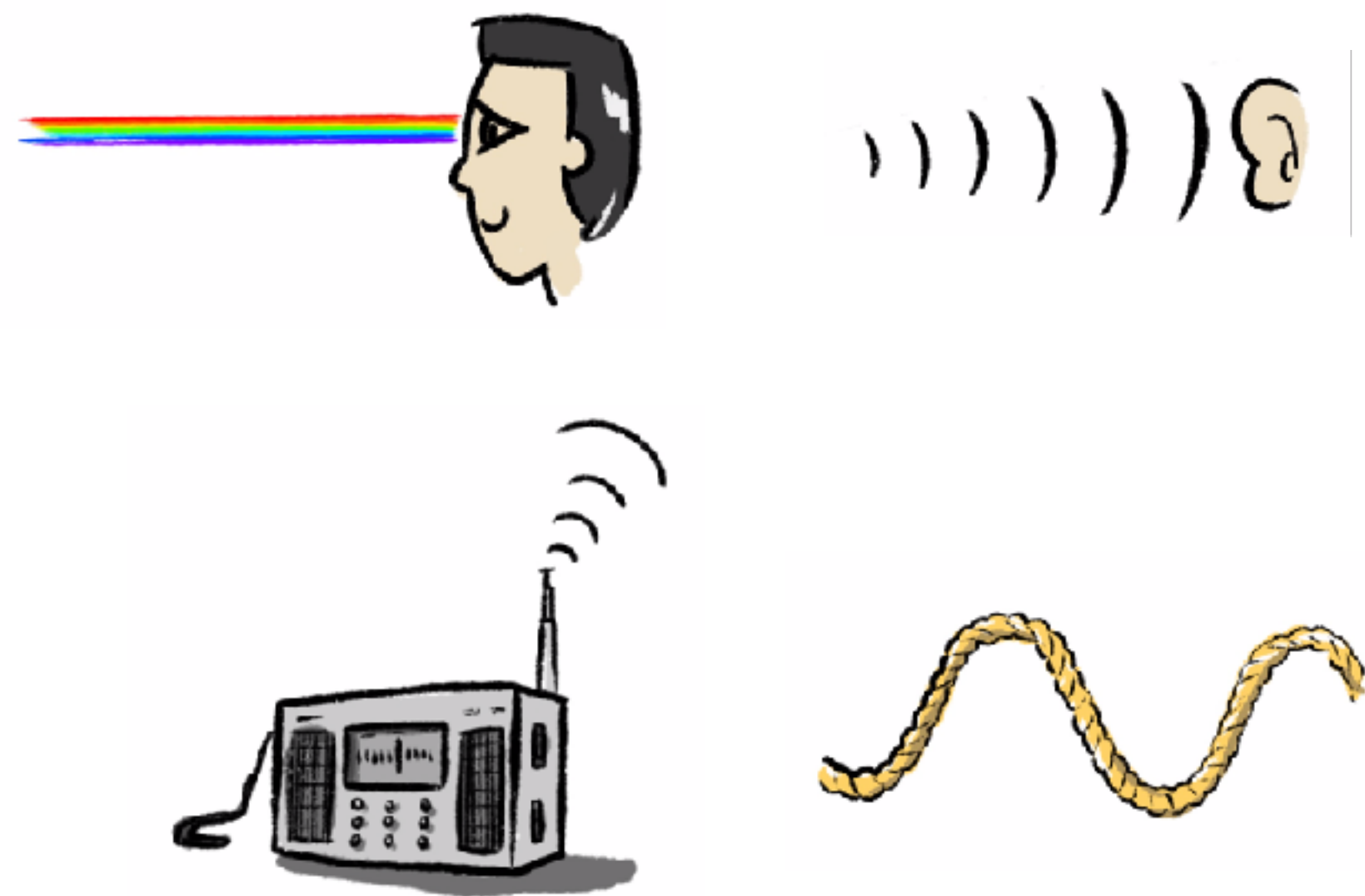
Now & Future

Gravitational Waves Exhibition

A New Messenger

waves in life

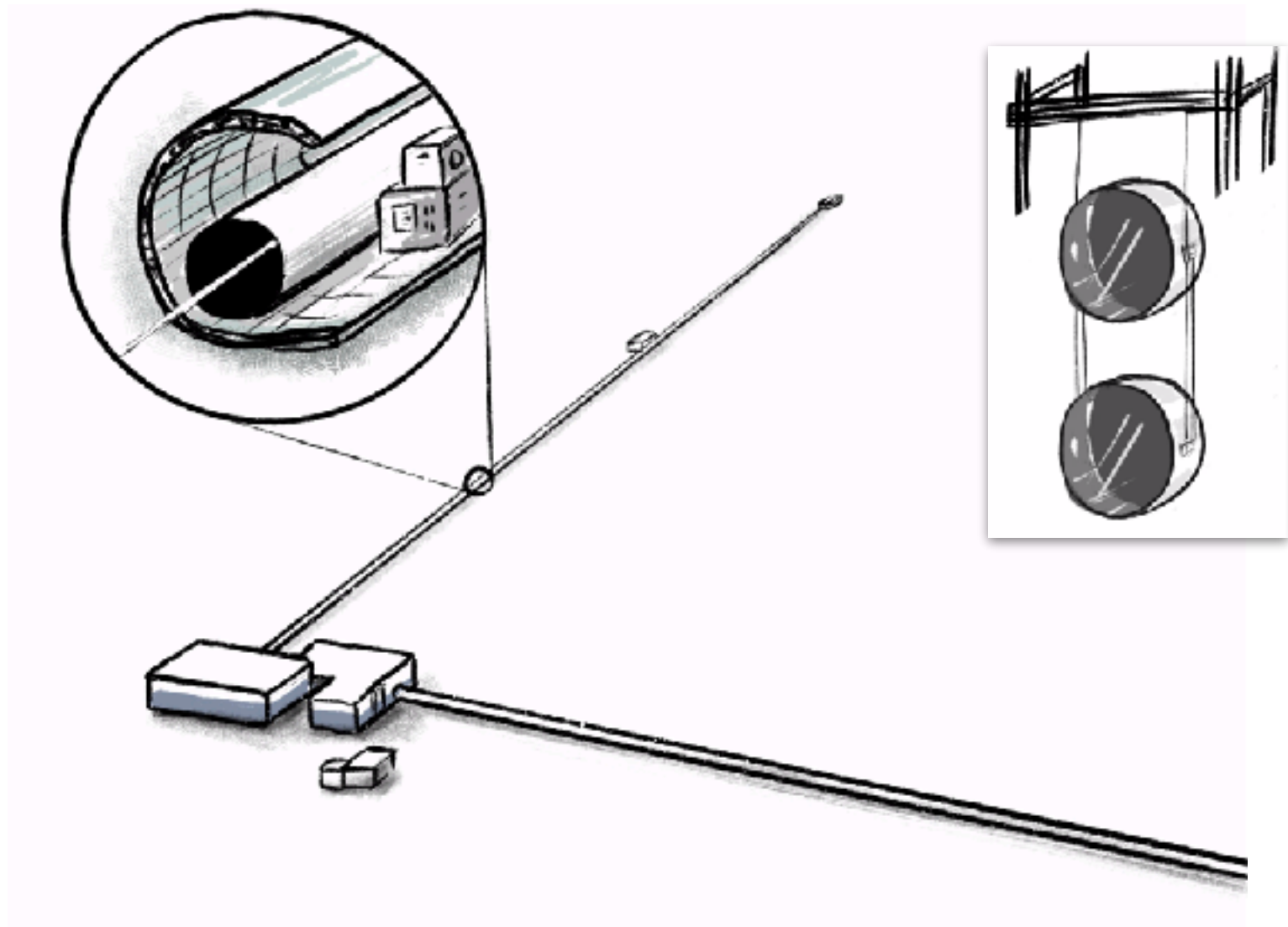
Einstein's Universe



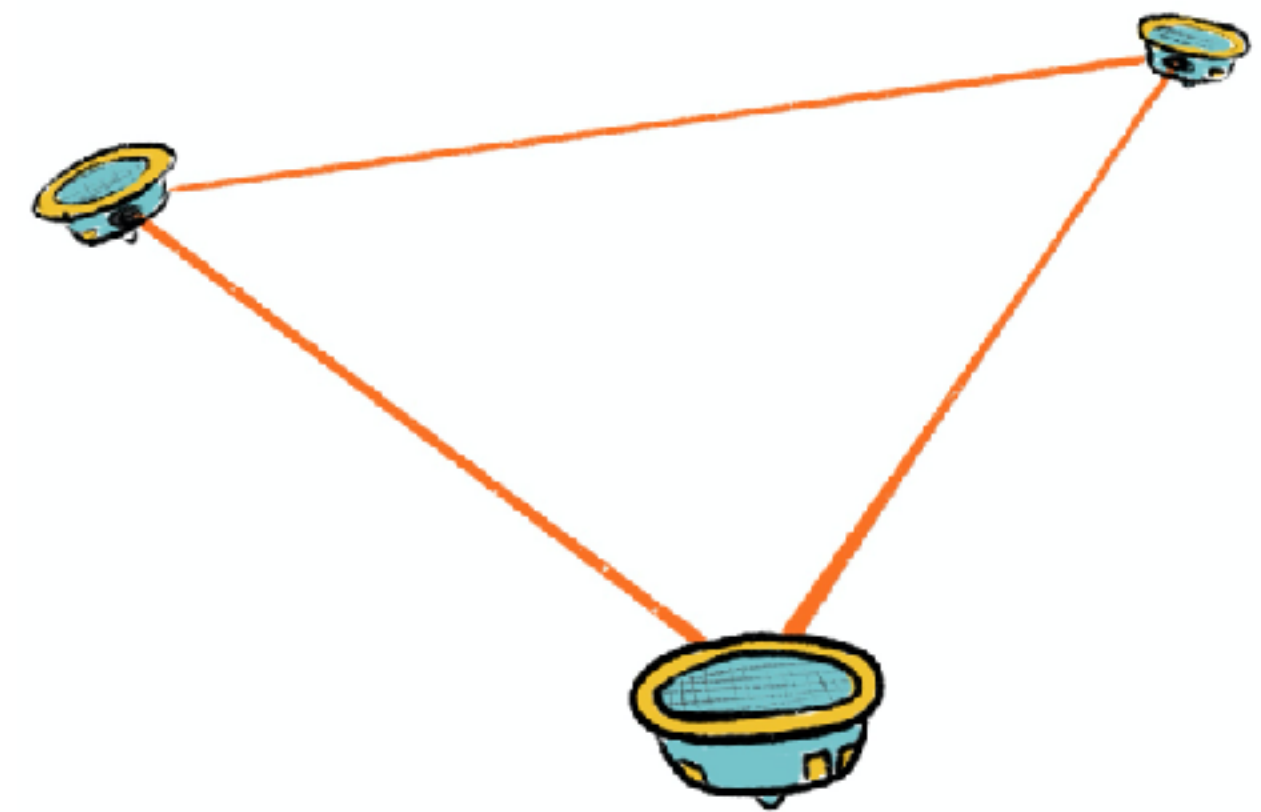
Gravitational Waves Exhibition

Measure the Impossible

LIGO & Virgo



Space Detectors



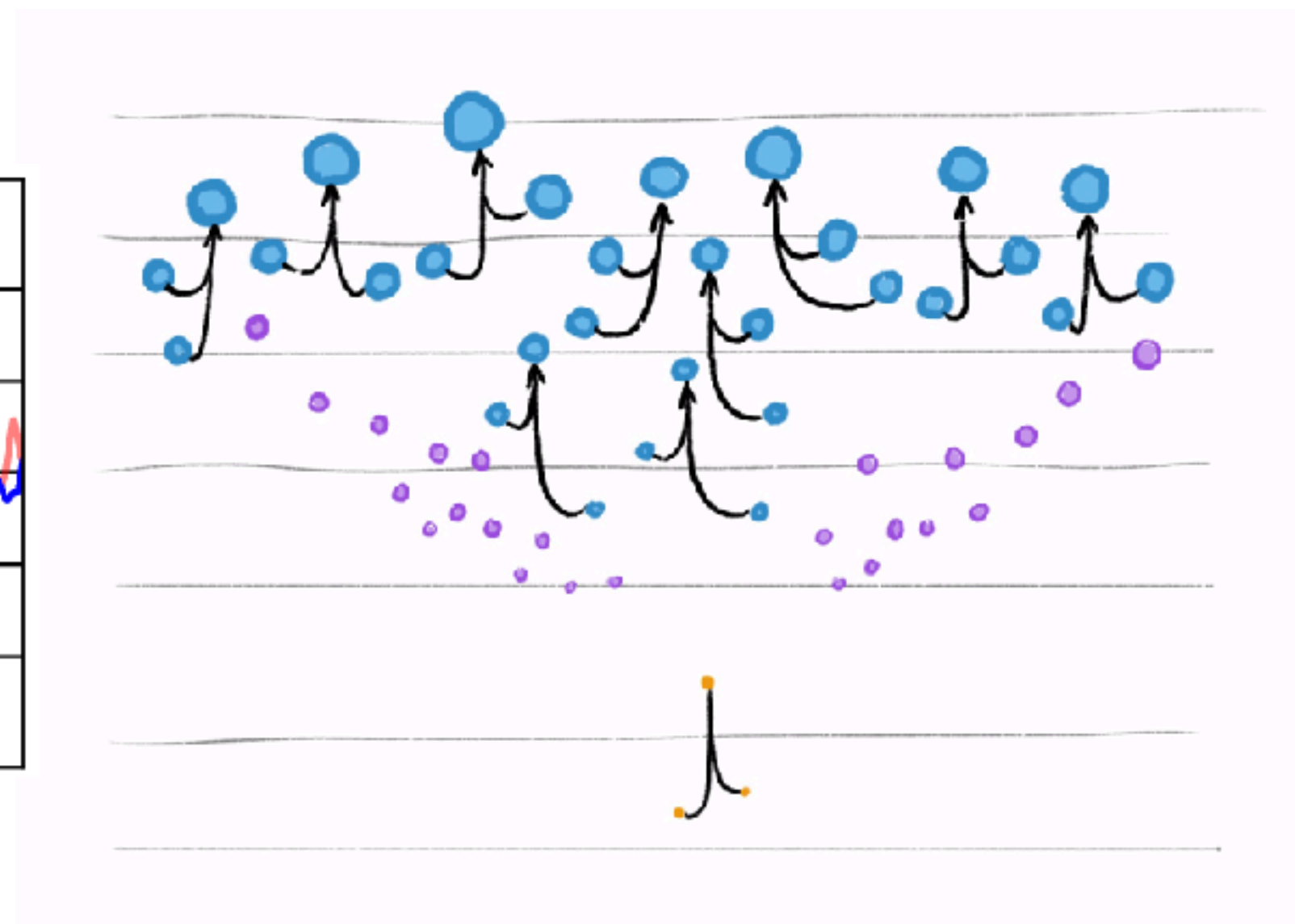
Gravitational Waves Exhibition

Now & Future

Detected GWs

Future Detectors

Multimessenger Astronomy



Interactive Elements

A New Messenger

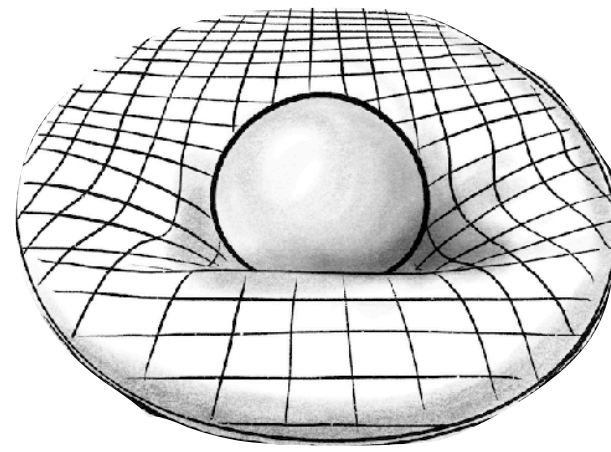
Measure the Impossible

Now & Future

Visualize the waves



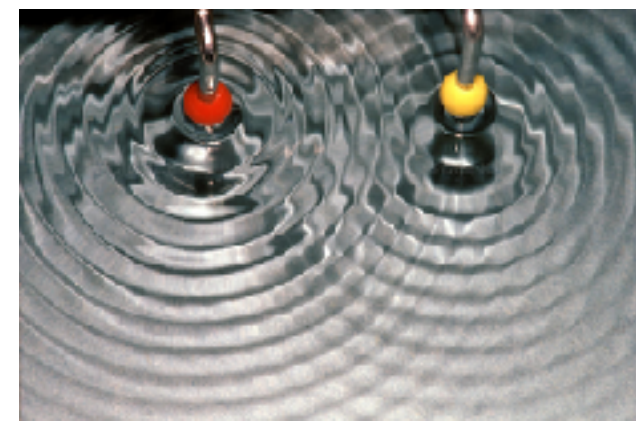
Einstein's Universe



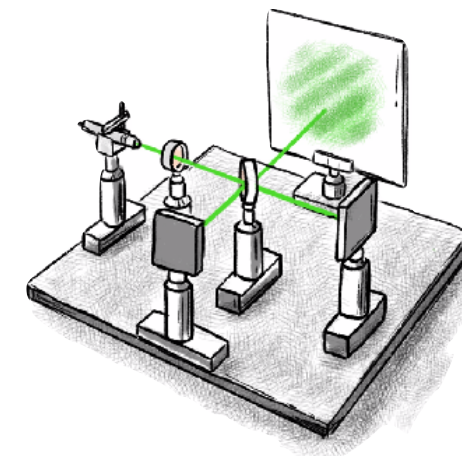
GW is coming



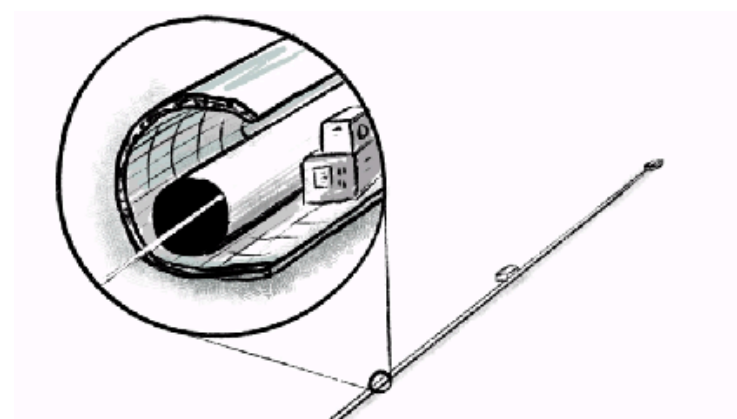
Water wave interference



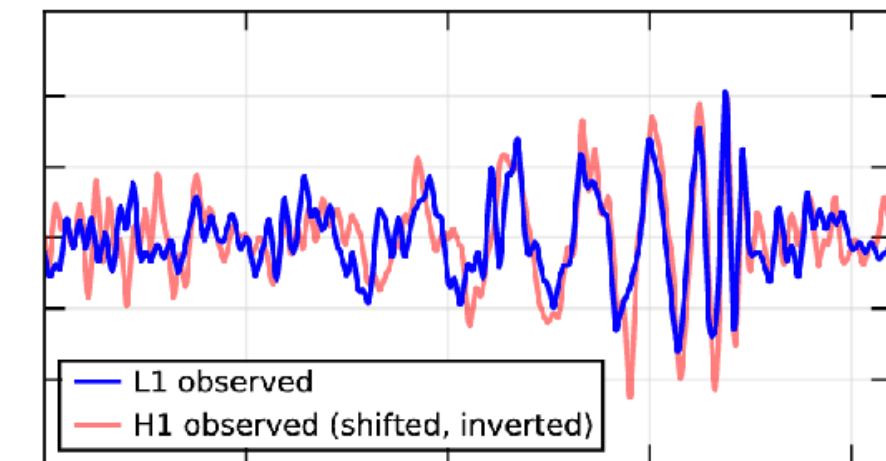
Mini LIGO



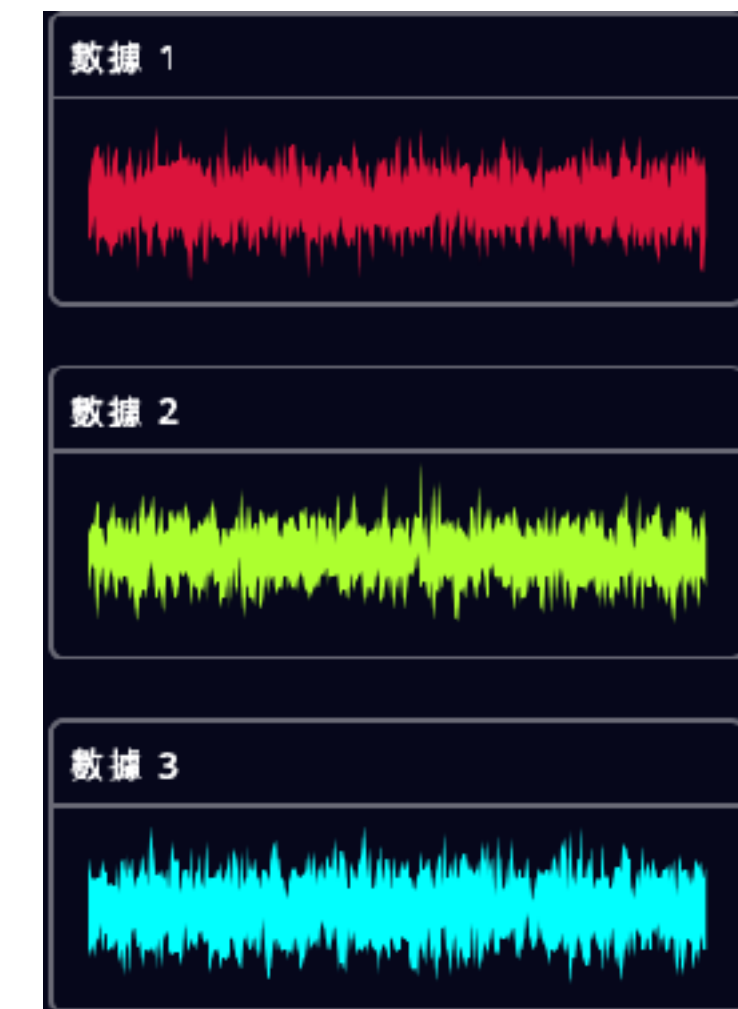
LIGO structure



Listen to the sound of GW



Hunting the black hole



“

Thank You!

